



RLCM/B(-S) Remote Annunciator Cabinet Wallbox Installation Sheet

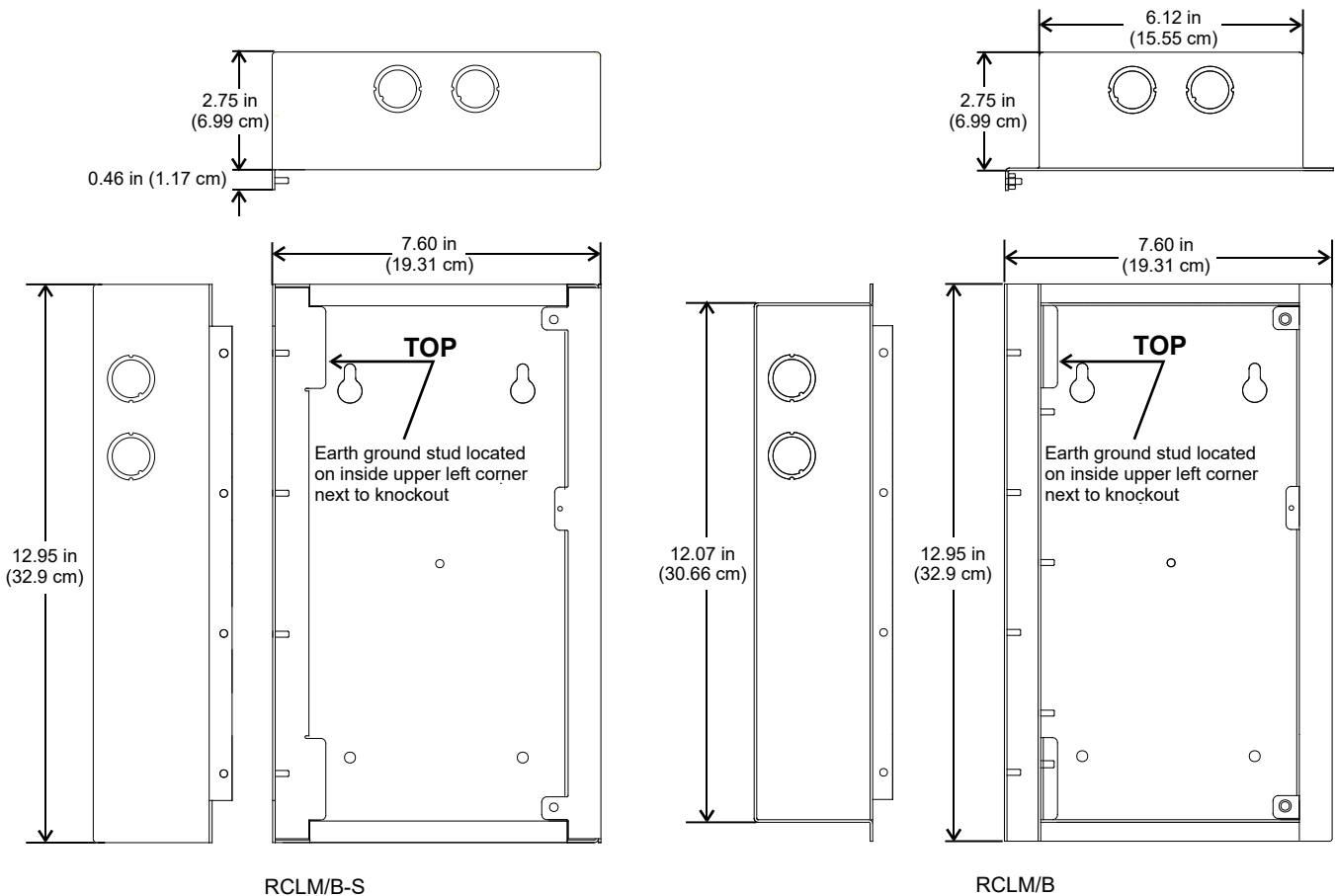
Regulatory information

North American standards	UL 864, CAN/ULC-S527
Environmental class	UL: Indoor dry IEC: 3K5
EU compliance	CE
EU certificates	2831-CPR-F1080
UK compliance	UK CA 0832
EN54	EN 54-2:1997/A1:2006 EN 54-16:2008

Description

The RLCM/B(-S) Remote Annunciator Cabinet wallbox houses the electronics for the 3-LCDANN(-E) Remote LCD Command Module Annunciator. The RLCM/B is used in semi-flush mount applications. The RLCM/B-S is used for surface mountings.

Figure 1: Cabinet dimensions



Notes

- Make sure that the wallbox is level and at the proper height and location before securing. Use fasteners of acceptable size and type.
- All wiring shall be power-limited.

Contact information

For contact information, see www.edwardsfiresafety.com.

